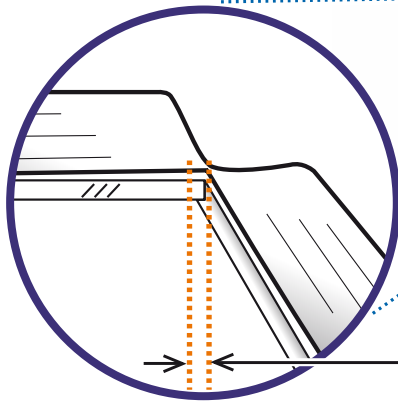


### Your Perfect Choice for Book Scanning



<2 mm

#### Features:

- The slightly slanted front platform makes book scanning a breeze
- Support A3-sized document
- Brightness and contrast controls to customize color output for specific applications
- Hi-speed USB 2.0 interface
- Includes TWAIN and ISIS Driver
- One button functionality allows you to assign up to 9 scanning applications and perform at the touch of a button

Avision's book edge scanners feature a unique, innovative flatbed platform, with a slanted front edge engineered to accommodate books in a way that prevents the dark, shadowy area near the spine from appearing. Curved text often seen near the center is also eliminated, since this special design allows pages to spread flat on the scanner. Never again would you need to press the book against the scanner, which distorts the scanned image and potentially damages the book.

The FB6280E supports documents up to A3 sizes. Its core image processing components are CCD based with a 600 dpi optical resolution, enabling it to output picture perfect quality while meeting the most stringent demands of business professionals anywhere.

#### What we have bundled

The Avison FB6280E scanner comes with TWAIN and ISIS drivers, and is bundled with Avison Button Manager V2, AvScan 5.0, and Nuance PaperPort SE 14.

#### Avison's Button Manager V2

-Completes your scan with a single step



The Button Manager V2 main screen

Button Manager V2 makes it easy for you to scan and send your image to your favorite destinations with a press of one button. Now the new version comes with an innovative feature to let you scan and automatically upload the scanned document to popular cloud repositories such as Google Docs, Microsoft SharePoint, or FTP. In addition, the iScan feature allows you to insert the scanned image or recognized text after optional OCR (Optical Character Recognition) process to your text editor such as Microsoft Word to get your job done easily and quickly.

# Avision FB6280E A3 Bookedge Scanner

## AvScan 5.0

-The Intelligent Document Management Tool



The AvScan 5.0 main screen

Document Imaging is the very first step of Document Management. However, poor quality images can cause serious problems to later indexing or storing processes. It may increase scanning labour costs and lowers the OCR accuracy. AvScan 5.0 ensures all documents are checked and polished at the time they are scanned such that the image quality is guaranteed before they are ready to use for other purposes.

AvScan 5.0 is an intelligent scanning and electronic filing solution. AvScan 5.0 possesses distinct features that convert and index scanned information into electronic documents for easy storage and fast retrieval.

## PaperPort SE14

- The Professional Choice to Organize and Share Your Documents



The PaperPort SE14 main screen

PaperPort SE 14 is Nuance's most popular scanning and document management solution, carefully designed specifically for home office use. Part traditional file cabinet, part digital-document desktop, PaperPort SE 14 is the fastest and easiest way to scan, share, search, and organize your documents. Additionally, PaperPort SE 14 now delivers anytime-anywhere access to your most important files however it's convenient for you – using a PC, Mac, iPhone, iPad, or Android device.



## Avision FB6280E Product Specifications

Paper Feeding:	Flatbed, *ADF (optional)
Scanning Technology:	Color Charged-Coupled Device ( CCD )
Document Size (Flatbed):	Max. 300 mm x 432 mm ( 11.8 in x 17 in )
Scanning Speed:	4.5 sec. ( Including backhome 6 sec.)
(B/W@300dpi, A3)	
Optical Resolution:	600 dpi
Output Resolution:	75, 100, 150, 200, 300, 400 and 600 dpi
Output Formats:	B&W, greyscale, 24-bit, color
Bundled Software:	Avision ButtonManager Avision AVScan 5.0 PaperPort 11SE
Interface/Drivers:	USB 2.0 / TWAIN, ISIS
Power Supply:	Input: 100~240 VAC, 50/60 Hz Output: 24V, 2A
Power Consumption:	<38.4 W
Environmental Factors:	Operating temperature: 10°C to 35°C (50°F to 95°F) Operating humidity: 10% to 85%
Acoustical Noise:	Standby: <45 dB Operating: <56 dB
Dimensions ( W x D x H ):	645 mm x 428 mm x 135 mm ( 25.4 in x 16.9 in x 5.3 in )
Weight:	7.6 kg ( 16.7 lbs )
Recommended Daily Scanning Volume:	Up to 5,000 pages

( \* Automatic Document Feeder: Optional)



## System Requirements

- CPU: Intel® Core 2 Duo or higher
- Memory: 1GB (32bit Windows)  
2GB (64bit Windows)
- DVD-ROM: DVD ROM Drive
- USB: USB2.0 Port (USB 1.1 supported)
- Windows® Operating System:  
Windows® XP SP3, Vista, 7, 8.x (32 & 64 bit)

## Contents

- FB6280E Scanner
- Quick Guide
- Power Supply
- USB 2.0 Cable
- CD-ROM includes:
  - Scanner Driver (TWAIN/ISIS Driver)
  - Avision Button Manager V2
  - Avision AvScan 5.0
  - PaperPort SE 14

# Avision

www.avision.com

No. 20, Creation Rd. I  
Hsinchu Science Park 30077, Taiwan  
Tel: 886-3-5782388 Fax: 886-3-5777017

**Avision Europe GmbH**  
Bischofstr. 101 D-47809  
Krefeld Germany  
Tel: +49 2151 56981 40  
Fax: +49 2151 56981 42  
info@avision.de

The Avison scanners come with TWAIN and ISIS-compatible drivers. Avison Button Manager scans your documents directly to Adobe certified searchable PDF file!

The registered brand names and product names mentioned in this document belong to each respective holder.

Energy Star name and marks, registered marks owned by the U.S. government

The information contained in this document(s) is subject to change without notice.